

Suyaki - original charred

Heavily charred with magnificent charcoal black color – no brushing

Exterior: Delicate surface with maximum longevity | Interior: Eye-catching surface with distinct texture

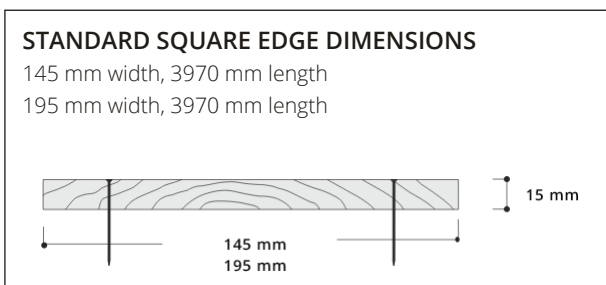
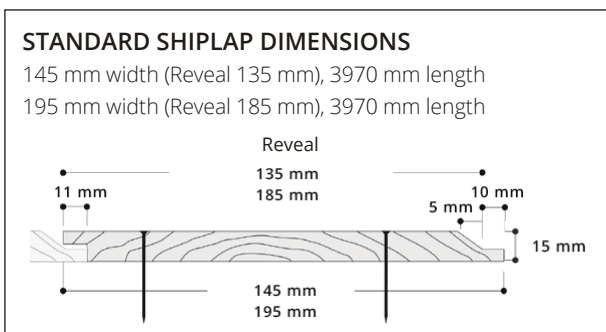
MATERIAL PROPERTIES:

Species:	Japanese cypress (<i>Cryptomeria japonica</i>)
Origin:	Origin: Japan, PEFC-/SGEC-certified
Hardness:	Very soft – 320 - 510 (Janka)
Weight:	Light – 360 - 380 kg/m ³
Specific gravity:	0,33 - 0,36 R ₁₂
Moisture content:	11-14%
Durability:	Durable - decay resistance class 2
Use class rating (EN-335):	Exterior, above ground, exposed to weather – Use Class 3
Fire resistance (EN-13501):	D-s2, d0 (general rating, BS class 3) B-s1, d2 (upon request, BS class 0)

GENERAL INFORMATION:

Overage:	Please add a healthy overage ranging 10-20% to your order as shipping additional material can be very expensive. When calculating the area of cladding required please pay attention to the covering width of the lining.
Furring:	Generally applied to ventilated curtain walls or rain-screens. It should be ensured that the cladding can dry and waterlogging is avoided.
Fasteners:	Stainless steel ring/screw-shank headed nails or wood screws (exterior), pin nails (interior).
Installation layout:	Vertical, horizontal, or diagonal layout possible, open or closed screen.
Pre-finishes:	Our pre-finishes are coated on the cladding surface. Coating of the edges or backs on demand. Touch-up oil is supplied free of charge.

AVAILABLE PROFILES AND DIMENSIONS:



AVAILABLE STANDARD COLOURS:



#742 ebony (Int/Ext) | matt



#932 ebony (Int) | silky gloss

More options available on request

Handle with care during transport & installation

Soot layer on surface and side edges can be damaged by pressure and pushes.

PRODUCT DOES NOT SHED SOOT AFTER INSTALLATION