

PIKA-PIKA

SPECIFICATIONS

Pika-Pika – charred and brushed twice

Wire-brushed textured surface with striped pattern. Suitable for interior and exterior applications

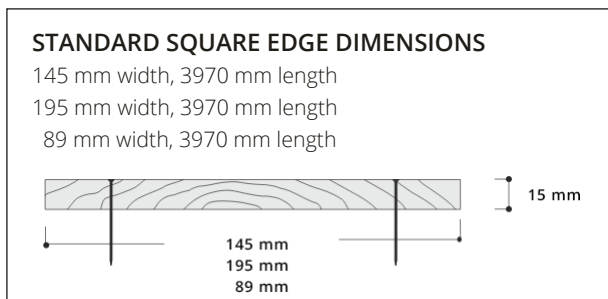
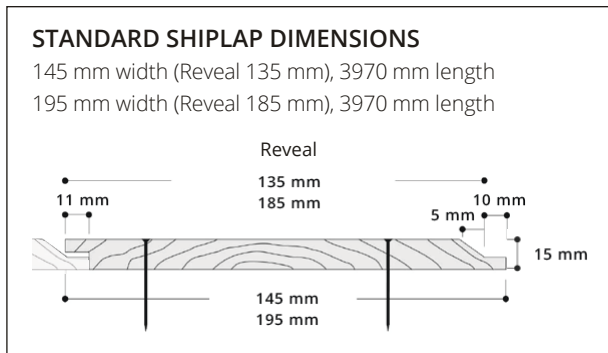
MATERIAL PROPERTIES:

Species:	Japanese cypress (<i>Cryptomeria japonica</i>)
Origin:	Origin: Japan, PEFC-/SGEC-certified
Hardness:	Very soft – 320 - 510 (Janka)
Weight:	Light – 360 - 380 kg/m ³
Specific gravity:	0,33 - 0,36 R ₁₂
Moisture content:	11-14%
Durability:	Durable - decay resistance class 2
Use class rating (EN-335):	Exterior, above ground, exposed to weather – Use Class 3
Fire resistance (EN-13501):	D-s2, d0 (general rating, BS class 3)

GENERAL INFORMATION:

Overage:	Please add a healthy overage ranging 10-20% to your order as shipping additional material can be very expensive. When calculating the area of cladding required please pay attention to the covering width of the lining.
Furring:	Generally applied to ventilated curtain walls or rain-screens. It should be ensured that the cladding can dry and waterlogging is avoided.
Fasteners:	Stainless steel ring/screw-shank headed nails or wood screws (exterior), pin nails (interior).
Installation layout:	Vertical, horizontal, or diagonal layout possible, open or closed screen.
Pre-finishes:	Our pre-finishes are coated on the cladding surface. Coating of the edges or backs on demand. Touch-up oil is supplied free of charge.

AVAILABLE PROFILES AND DIMENSIONS:



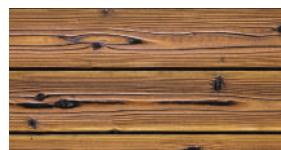
AVAILABLE STANDARD COLOURS:



#102 transparent (Int/Ext)



#111 silver grey (Int/Ext)



#121 light oak (Int/Ext)



#132 ebony 2 coat (Int/Ext)



#152 medium grey (Int/Ext)



#131 ebony 1 coat (Int/Ext)



#871 silver grey (Int/Ext)

More colours
available
on request

PRODUCT DOES NOT SHED SOOT AFTER INSTALLATION